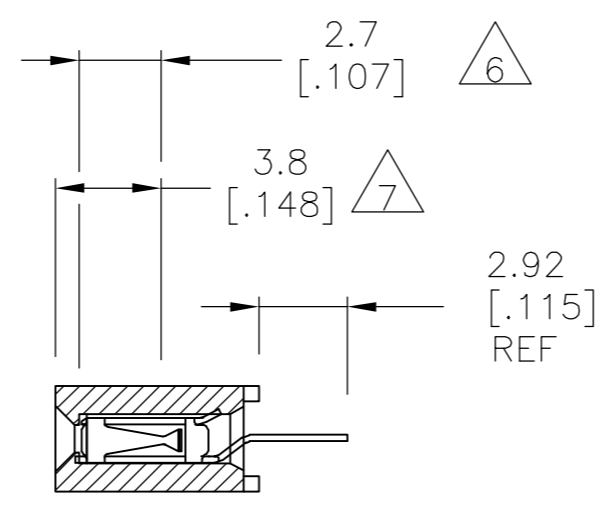
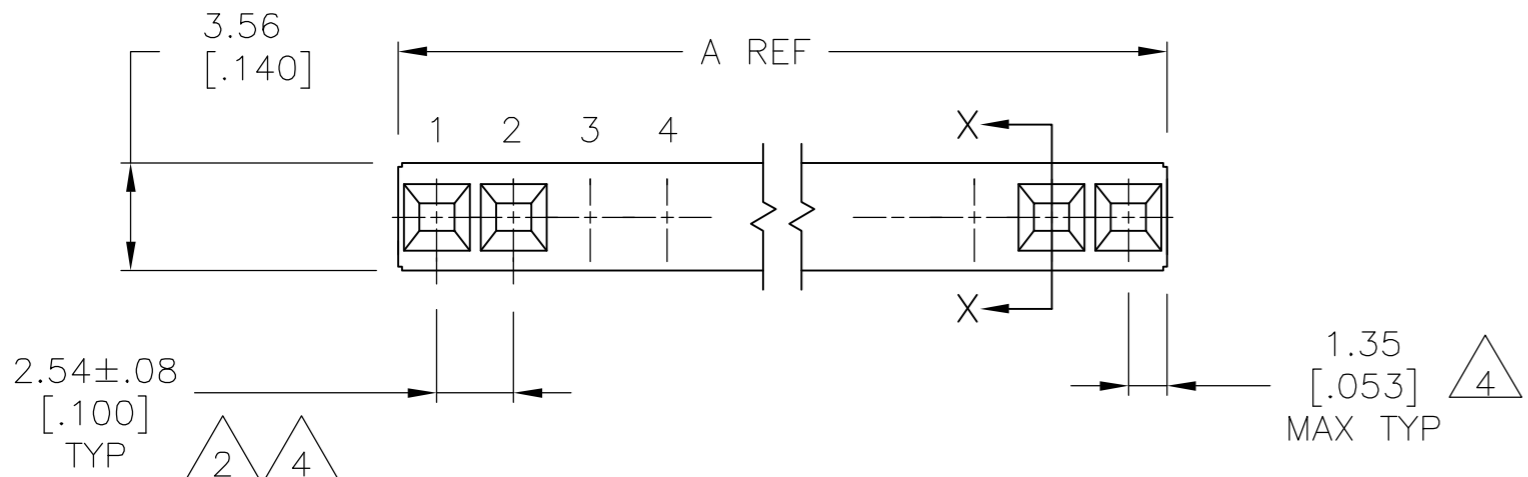
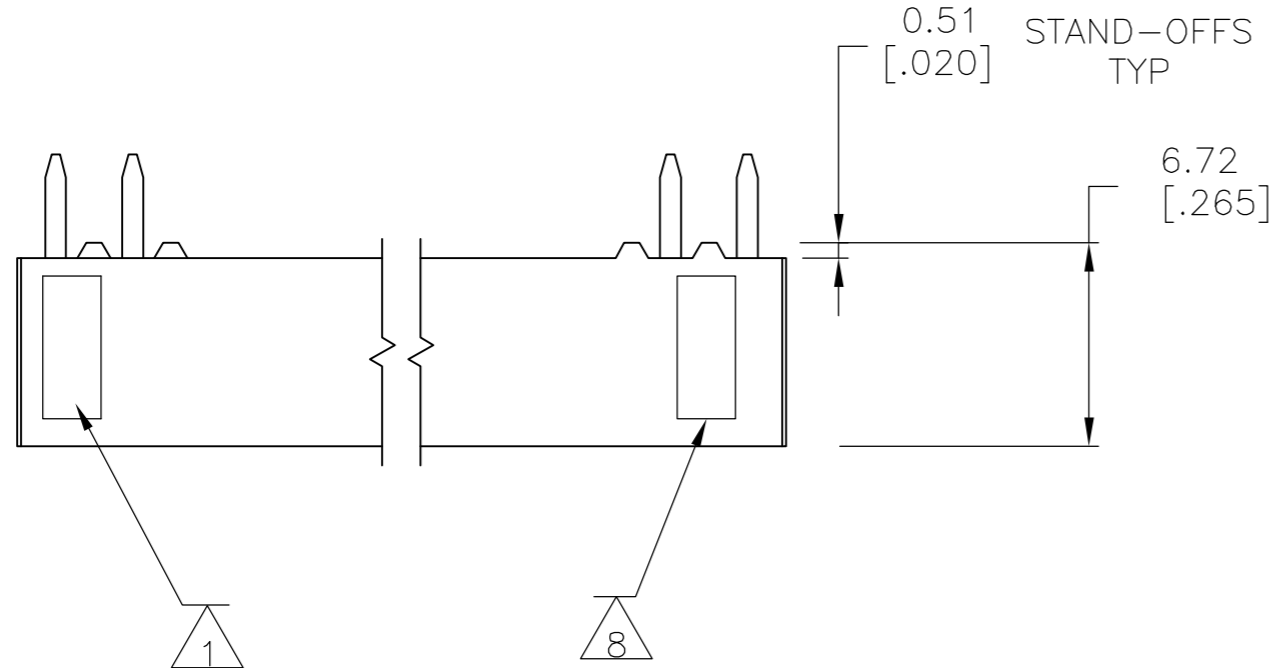
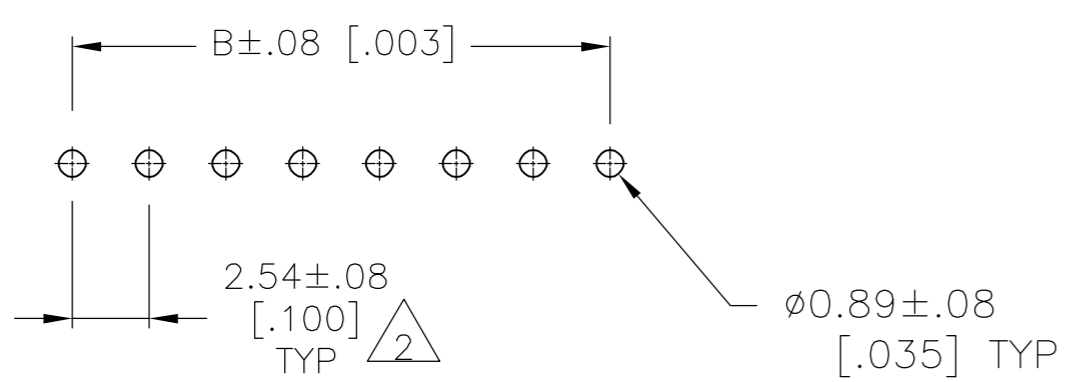


THIS DRAWING IS UNPUBLISHED. RELEASED FOR PUBLICATION
 © COPYRIGHT BY TYCO ELECTRONICS CORPORATION. ALL RIGHTS RESERVED.

LOC	DIST	REVISIONS					
AD	00	P	LTR	DESCRIPTION	DATE	DWN	APVD
		C		EC 0G3C 0B63 04	05FEB05	BSV	JRO



SECTION X-X



RECOMMENDED PC BD LAYOUT

- 1 DATE CODE AND PART NUMBER MARKED IN APPROXIMATE LOCATION SHOWN.
- 2 TOLERANCE NON-CUMULATIVE
- 3 DUPLEX PLATED: .000010 GOLD IN CONTACT AREA, .000150-.000300 BRIGHT TIN-LEAD ON SOLDER LEADS, ALL OVER .000050 MIN. NICKEL.
- 4 THESE DIMS. PERTAIN TO CAVITY ϕ 'S ONLY, NOT TO CONTACT LOCATIONS
- 5 HOUSING: FLAME RETARDANT GLASS FILLED POLYESTER-BLACK, CONTACT: PHOS. BRONZE
- 6 POINT OF MEASUREMENT DIMENSION FOR PLATING THICKNESS (INSIDE CONTACT BEAMS).
- 7 POINT OF CONTACT DIMENSION.
- 8 TYCO LOGO AND CSA LOGO ARE MOLDED INTO HOUSING.
- 9 DUPLEX PLATED: .000010 GOLD IN CONTACT AREA, .000150-.000300 MATTE TIN ON SOLDER LEADS, ALL OVER .000050 MIN. NICKEL.
- 10 ROHS 2002 /95/EC COMPLIANT

9	20	2,4,6,8,10,12,14,16,18,20,22 24,26,28,30,32,34,36,38,40	99.06 [3.900]	101.60 [4.000]	40	10 5-146434-2
9	10	2,4,6,8,10,12,14,16,18	45.72 [1.800]	48.26 [1.900]	19	10 5-146434-1
3	20	2,4,6,8,10,12,14,16,18,20,22 24,26,28,30,32,34,36,38,40	99.06 [3.900]	101.60 [4.000]	40	146434-2
3	10	2,4,6,8,10,12,14,16,18	45.72 [1.800]	48.26 [1.900]	19	146434-1
FINISH	NO. OF ACTIVE POSITIONS	CONTACTS OMITTED	B	A	NO OF POSN	PART NUMBER

THIS DRAWING IS A CONTROLLED DOCUMENT.

DIMENSIONS: mm [INCHES]	TOLERANCES UNLESS OTHERWISE SPECIFIED:	DWN T. HOFFMAN 9/12/95	Tyco Electronics Corporation Harrisburg, Pa 17105-3608
	0 PLC ± -	CHK C. LEAMAN 9/18/95	
	1 PLC ± -	APVD C. LEAMAN 9/18/95	
	2 PLC ± -	PRODUCT SPEC	
MATERIAL	FINISH	APPL. SPEC	NAME RECPT.ASSY., MOD IV, SINGLE ROW, .100 VERTICAL, BD. MOUNT, CLOSED ENTRY, SHORT POINT OF CONTACT, SELECT LOAD
		WEIGHT	SIZE A2
		CUSTOMER DRAWING	CAGE CODE 00779
			DRAWING NO C=146434
			RESTRICTED TO
			SCALE 4:1
			SHEET 1 OF 1
			REV C

146434